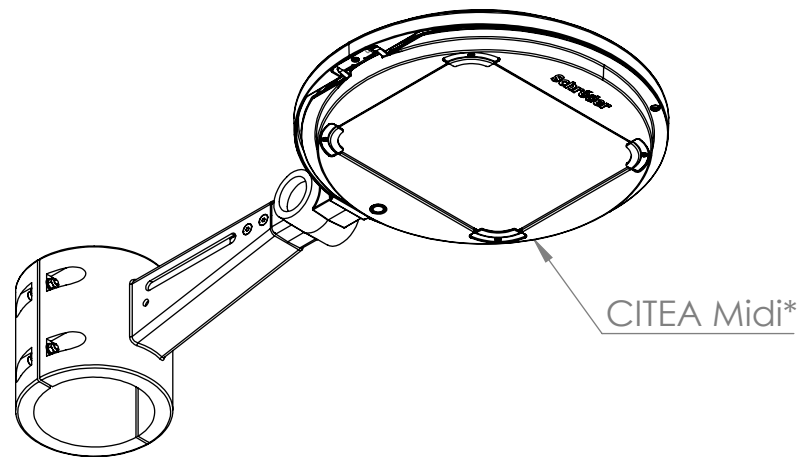
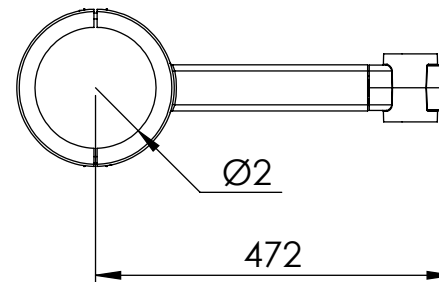
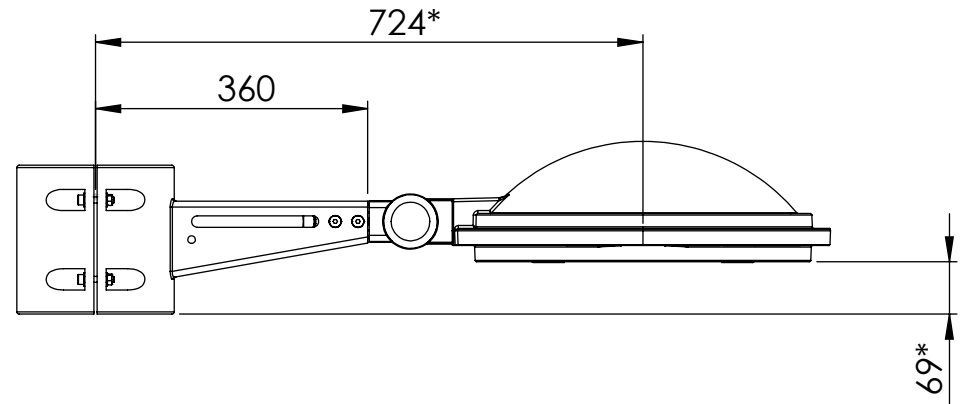


Interface depending luminaire	X
<b>EQUINOXE PR</b> (CMS mini-Midi / FLEXIA 40x40)	40
<b>EQUINOXE GR</b> (CMS MAXI)	49



Variant	Ø1	Ø2	Ø Installation
EP4 Ø130	180	130	Ø125 < Ø pole < Ø130
EP4 Ø142	192	142	Ø137 < Ø pole < Ø142
EP4 Ø160	208	160	Ø155 < Ø pole < Ø160

Specifications and measurements are of an indicative nature and subject to change without notice

### EQUINOXE EP4 Annular on pole

**Schröder**  
Experts in lightability™

Scale:1:10

Material: Aluminium

Date: 11-06-2021

Weight:4Kg

© Schröder SA (Rue de Lusambo 67, 1190 Brussels, Belgium).  
This document, its content and all related intellectual property rights, notably on the drawings and design, are owned by and remains the property of Schröder SA. In no case, it can be used for unauthorized purposes. It can not be reproduced or communicated to third parties without Schröder's express and written agreement. Infringement gives rights to damages.