

# Schröder

## CIRCLE LED BASE

### 1&2

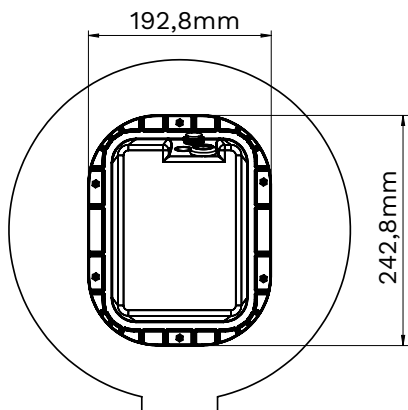
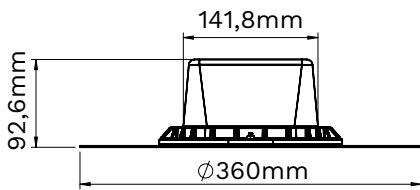
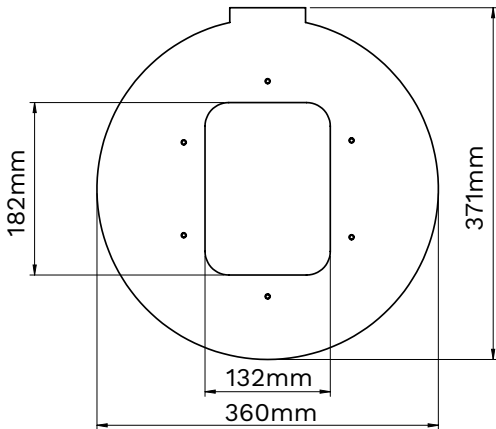
### for CMS MINI & MIDI

ENG	INSTALLATION INSTRUCTIONS	ITA	ISTRUZIONI DI INSTALLAZIONE	NLD	INSTALLATIE INSTRUCTIES	DAN	INSTALLATIONSVEJLEDNING	HUN	TELEPÍTÉSI ÚTMUTATÓ
DEU	INSTALLATIONSANLEITUNG	POL	INSTRUKCJE MONTAŻU	RUS	Инструкции по установке	RON	INSTRUCȚIUNI DE INSTALARE	CHI	安装说明
FRA	INSTRUCTIONS DE MONTAGE	SPA	INSTRUCCIONES DE INSTALACIÓN	POR	INSTRUÇÕES DE INSTALAÇÃO	SWE	INSTALLATIONSANVISNING	UKR	Інструкції з монтажу
SRP	UPUTSTVA ZA INSTALACIJU	ARA	تعليمات التركيب						

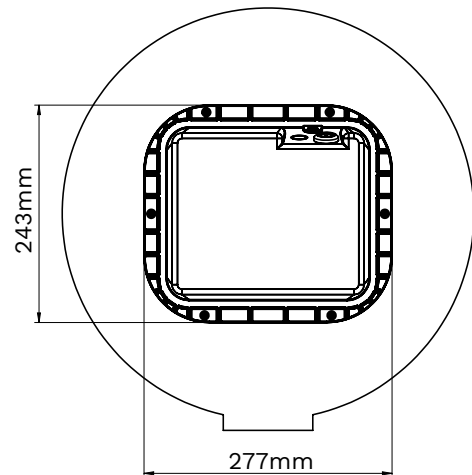
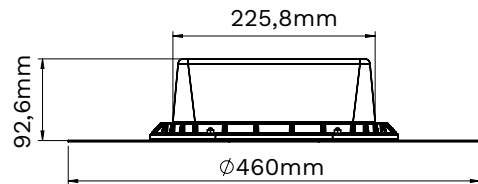
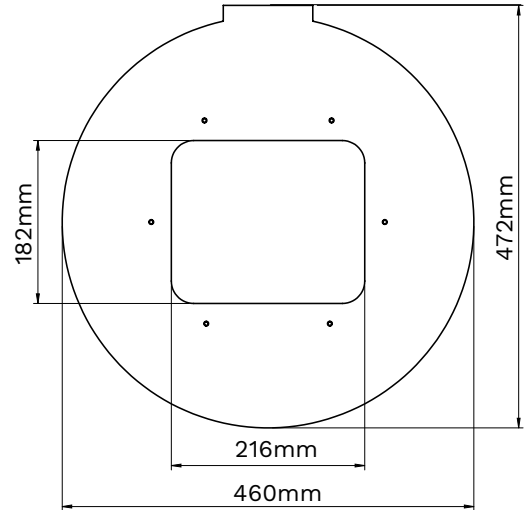
ALL THE TIGHTENING TORQUES VALUES ARE GIVEN FOR ASSEMBLIES WITHOUT THE ADDITION OF A GREASE DECREASING FRICTION.



#### CMS MINI WITH CLB1\*

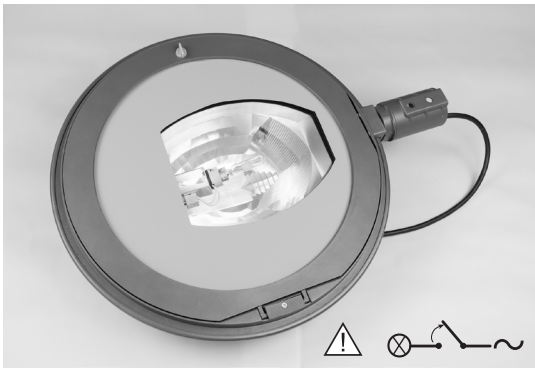


#### CMS MIDI WITH CLB2



\*CLB2 is also available with CMS MINI

1



Disconnect the luminaire from network and clean the surface

2



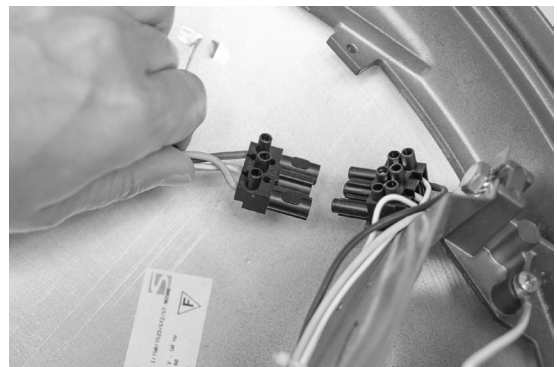
Open the lock on the side of the luminaire

3



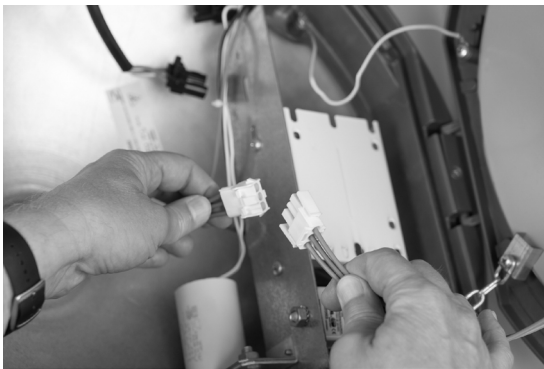
Open the luminaire for gear compartment and light source access

4



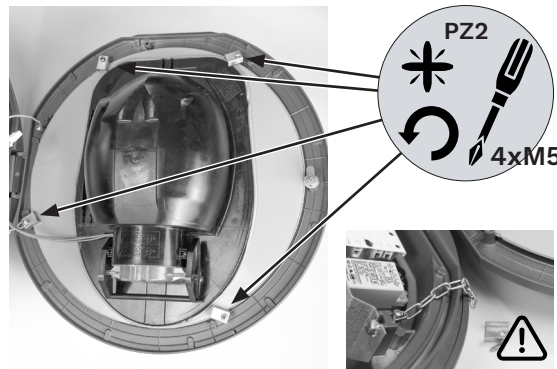
Disconnect mains

5



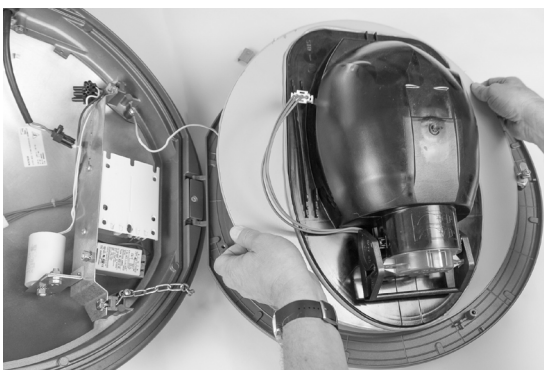
Disconnect HID module

6



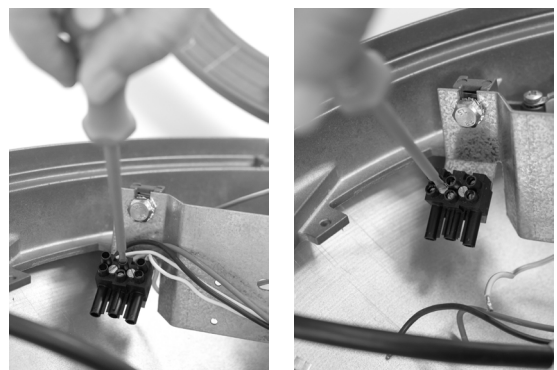
Remove screws from light source holder plate  
**KEEP THESE FOR LATER USE!**

7



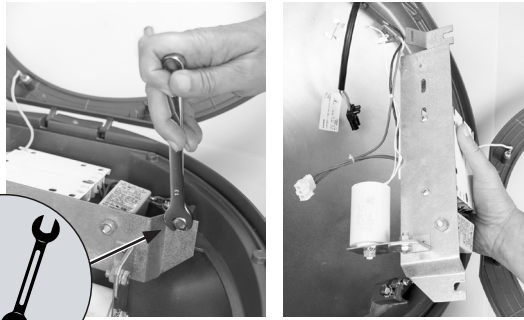
Remove light source plate

8



Disconnect cables from terminal block  
(blade dimensions: 3.5 x 0.5 mm)

9



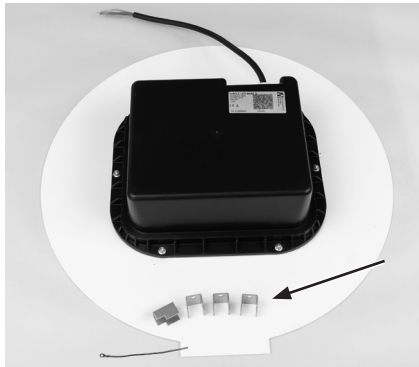
Remove screws holding the gear plate, then remove gear plate with ballast

10



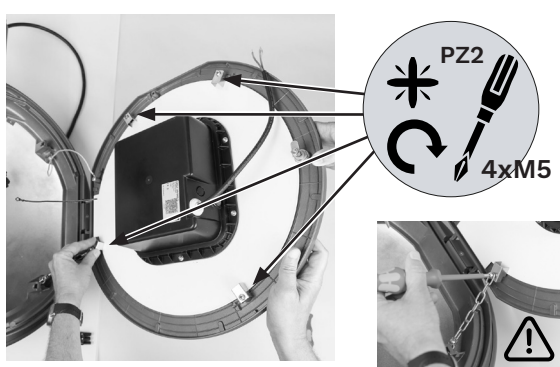
Place CLB adaptation plate into the luminaire, with the positioning tab facing the hinge

11



Make sure to use the new clamps provided with CLB!

12



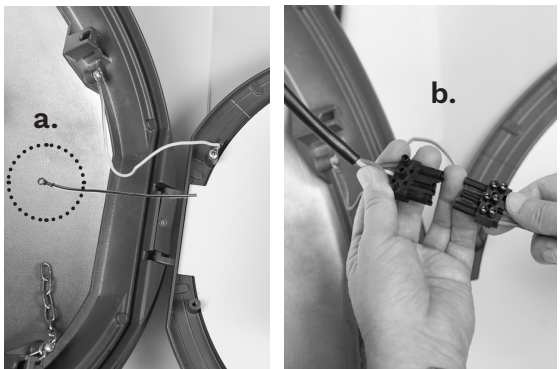
Fasten the adaptation plate with screws and clamps (tightening torque: 2Nm)

13



Connect Circle LED Base cables into the terminal block

14



**a.** Connect earthing cable of the adaptation plate to luminaire body  
**b.** Connect mains cable to CLB unit

15



Close the lock on the side of the luminaire

16



Connect the assembly back on network