

# Schröder

## CIRCLE LED BASE

### 1&2

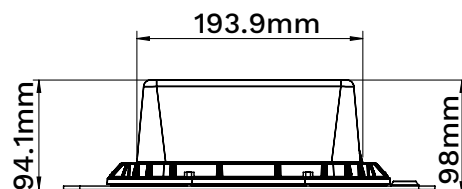
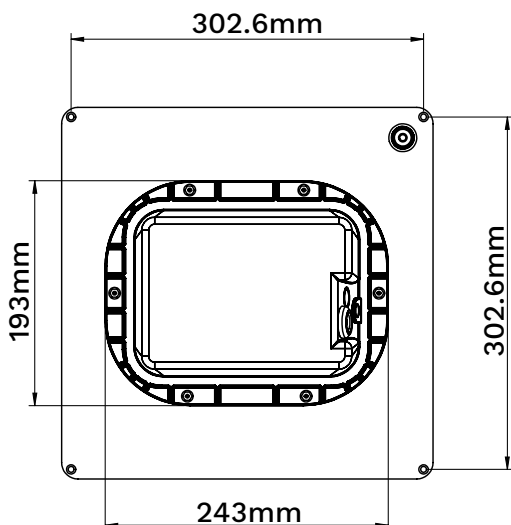
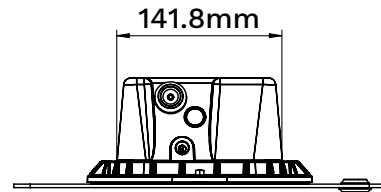
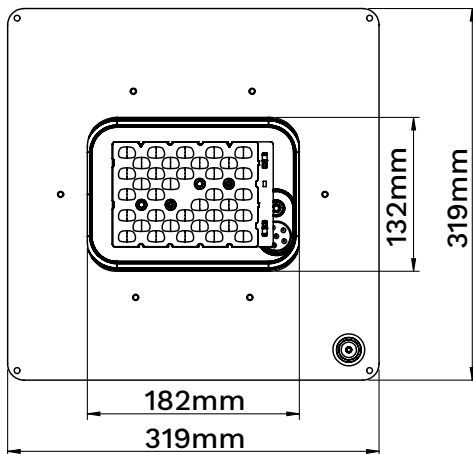
### for VALENTINO

ENG	INSTALLATION INSTRUCTIONS	ITA	ISTRUZIONI DI INSTALLAZIONE	NLD	INSTALLATIE INSTRUCTIES	DAN	INSTALLATIONSVEJLEDNING	HUN	TELEPÍTÉSI ÚTMUTATÓ
DEU	INSTALLATIONSANLEITUNG	POL	INSTRUKCJE MONTAŻU	RUS	Инструкции по установке	RON	INSTRUCȚIUNI DE INSTALARE	CHI	安装说明
FRA	INSTRUCTIONS DE MONTAGE	SPA	INSTRUCCIONES DE INSTALACIÓN	POR	INSTRUÇÕES DE INSTALAÇÃO	SWE	INSTALLATIONSANVISNING	UKR	Інструкції з монтажу
SRP	UPUTSTVA ZA INSTALACIJU	ARA	تعليمات التركيب						

ALL THE TIGHTENING TORQUES  
VALUES ARE GIVEN FOR ASSEMBLIES  
WITHOUT THE ADDITION OF A  
GREASE DECREASING FRICTION.

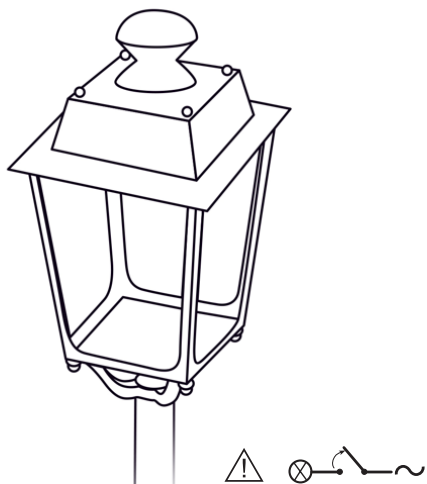


### VALENTINO WITH CLB1\*



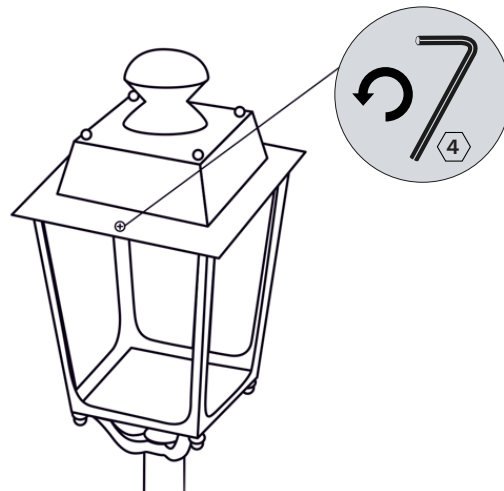
\*CLB2 is also available for VALENTINO, with the same adaptation plate size dimensions  
(only the cut-out being different)

1



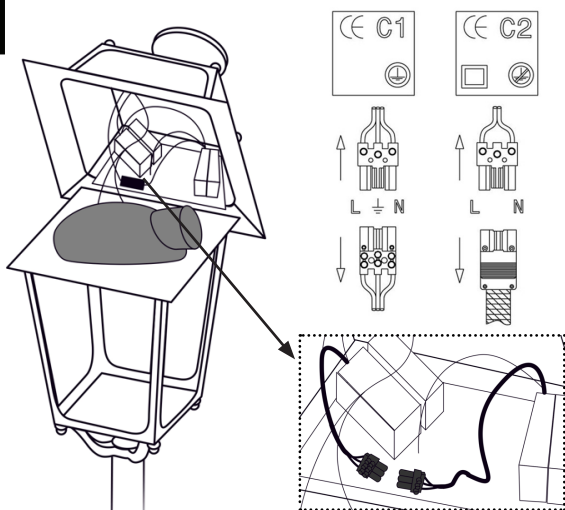
Disconnect the luminaire from network and clean the surface

2



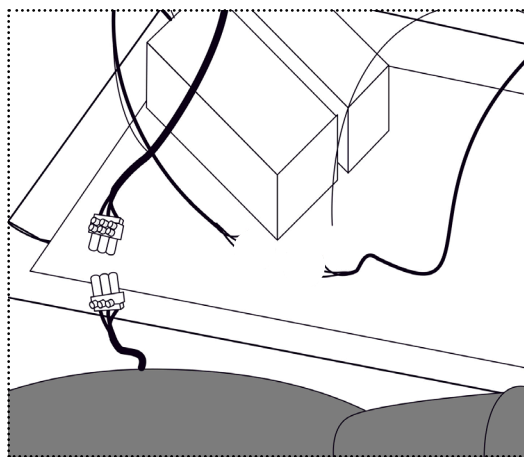
Open the luminaire for gear compartment and light source access

3



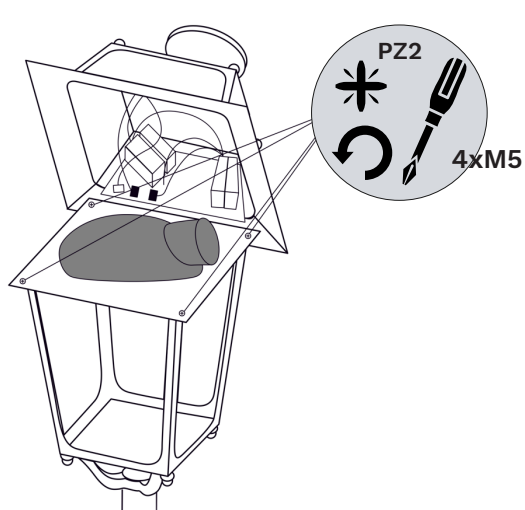
Disconnect mains and remove connectors from cables  
**KEEP THESE FOR LATER USE!**

4



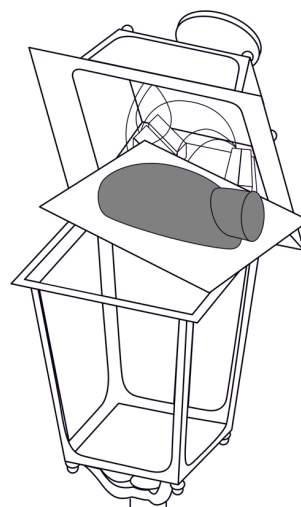
Disconnect HID cables

5



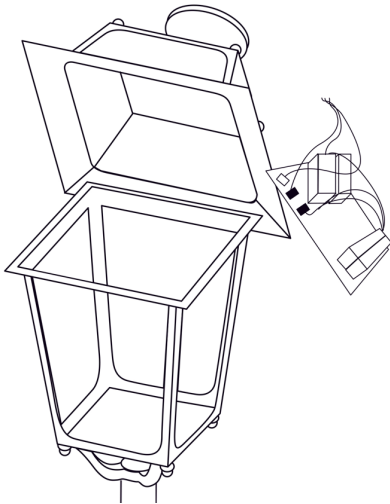
 Remove screws holding the optical compartment. **KEEP THESE FOR LATER USE!**

6



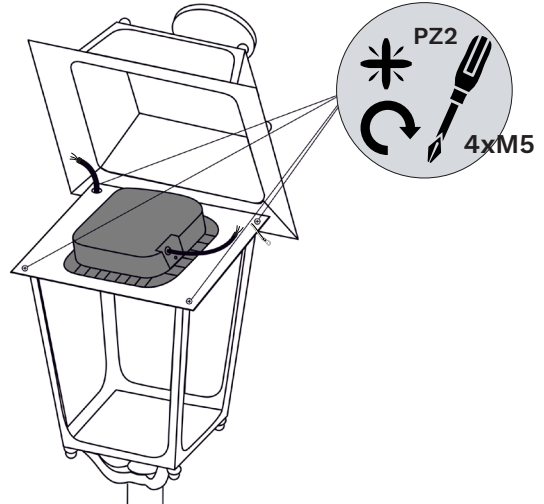
Remove optical compartment

7



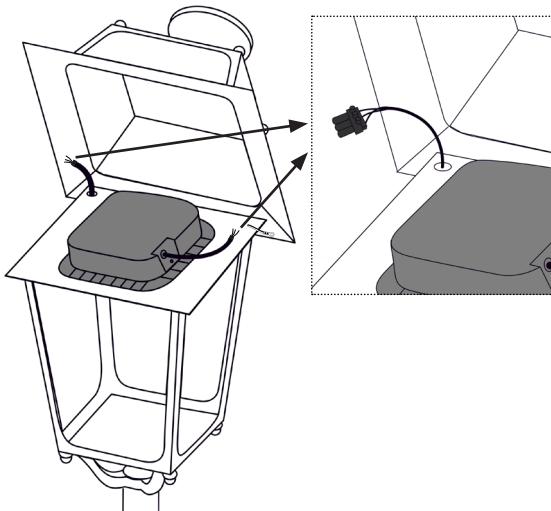
Remove gearplate

8



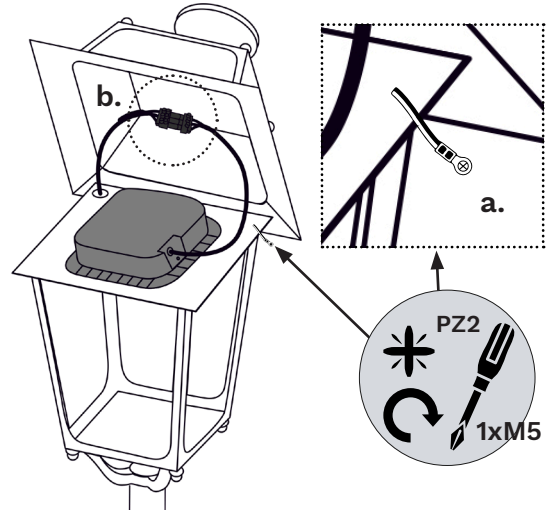
Place and fasten the adaptation plate into position in the luminaire body with the previously removed screws (tightening torque: 2Nm)

9



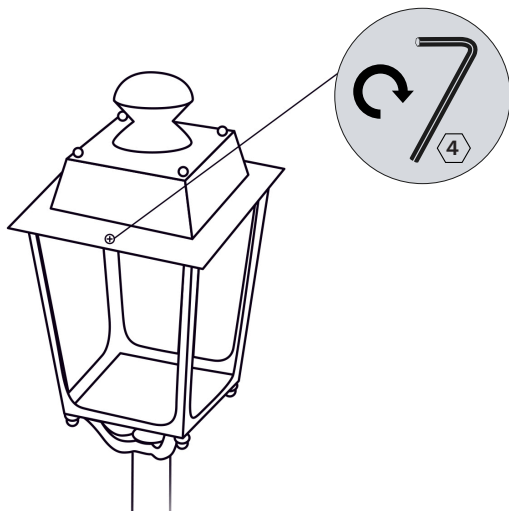
Put connectors on mains cable and CLB cable

10



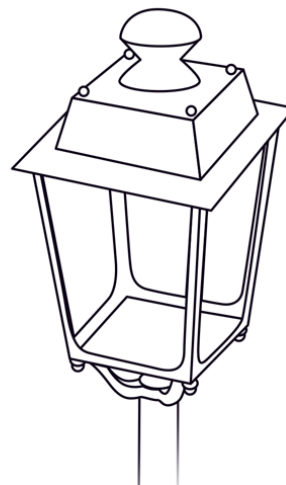
a. Connect earthing cable of the adaptation plate to luminaire body  
b. Connect mains cable to CLB unit

11



Close the luminaire

12



Connect the assembly back on network